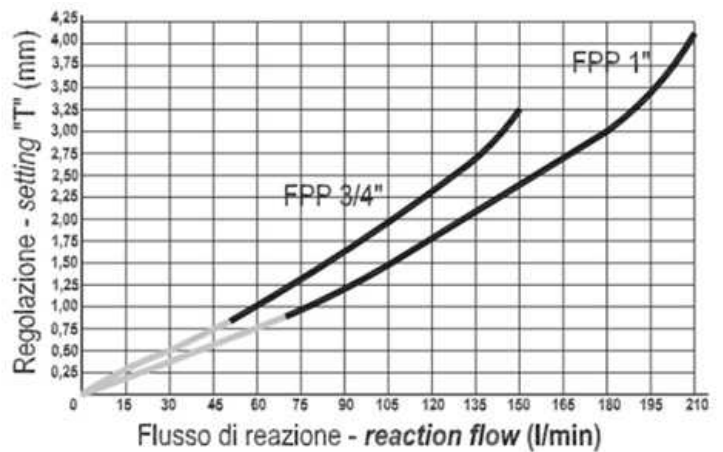
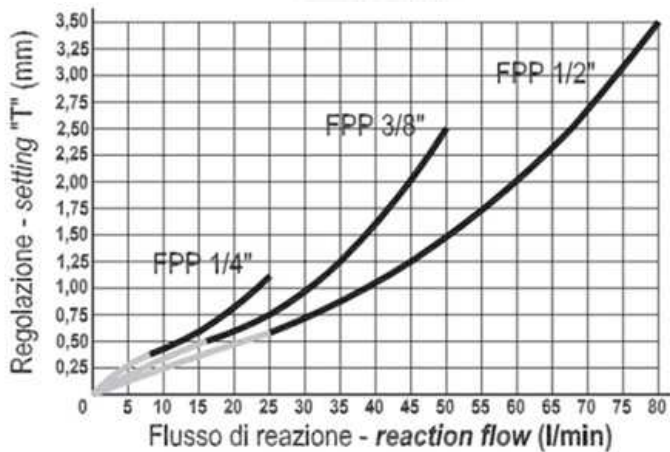
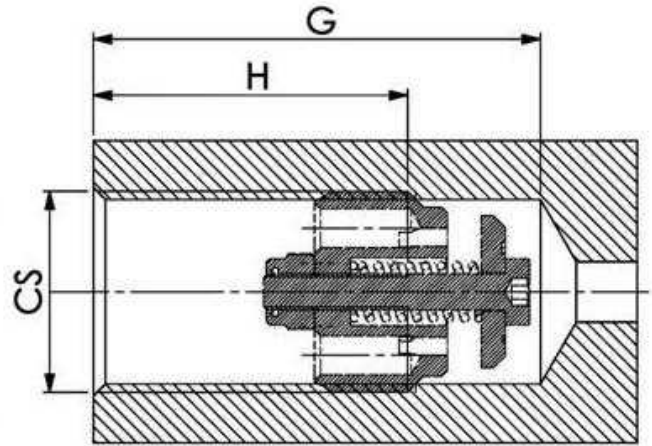
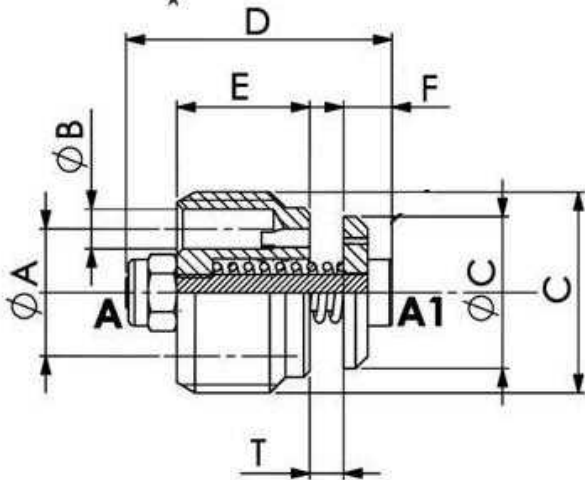
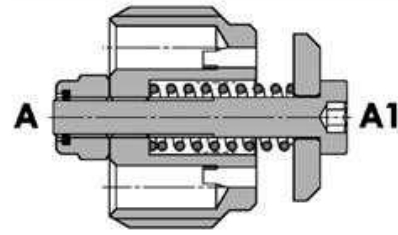
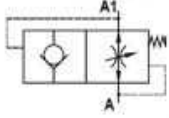


**Plug-in hose break valve**



— flusso di reazione raccomandato (min.-max.)  
 recommended flow reaction (min.-max.)

**R1=C, CS**

**Materials:** All components are steel made.

Part n°	R1	Max. flow (l/min)	Max. Press. (bar)	ØA	ØB	ØC	D	E	F	G	H
VSP 1/4	1/4" BSP	25	350	8.5	2.4	9,5	23	8	5	35	24
VSP 3/8	3/8" BSP	50	350	11	3.5	12,5	23	11	5	37	26
VSP 1/2	1/2" BSP	80	350	13	4.5	15	29	13	6	45	30

The information gathered in this technical documentation (Catalogue) has an informative character and can be modified without previous notice. DICS A will not accept any type of responsibility resulting from an inappropriate use of the product, except the ones related to manufacturing defects.

Hydraulic valves

Restrictor valves and hose breaks valves

## Plug-in hose break valve



2/2

Part n°	R1	Max. flow (l/min)	Max. Press. (bar)	ØA	ØB	ØC	D	E	F	G	H
<b>VSP 3/4</b>	3/4" BSP	150	350	16	6	18,5	34	18	6	54	38
<b>VSP 1</b>	1" BSP	200	300	20	7	23	40	21	7.5	66	46