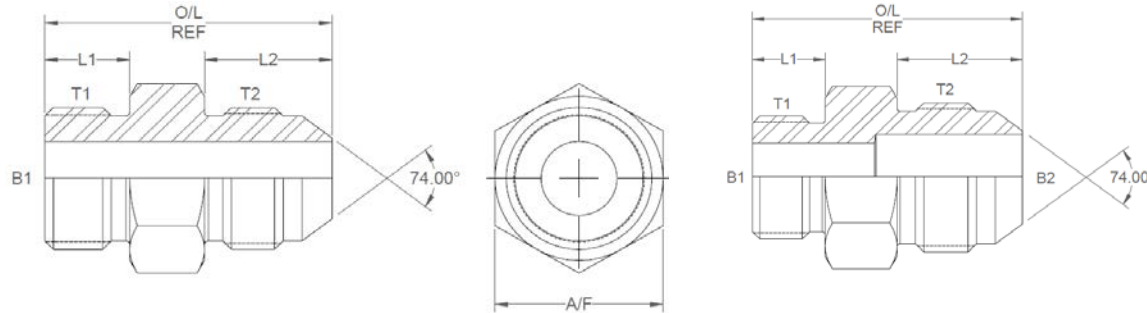
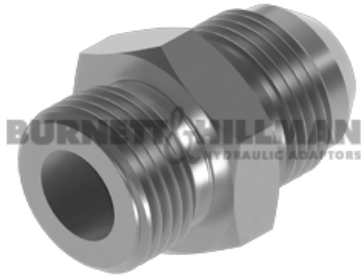


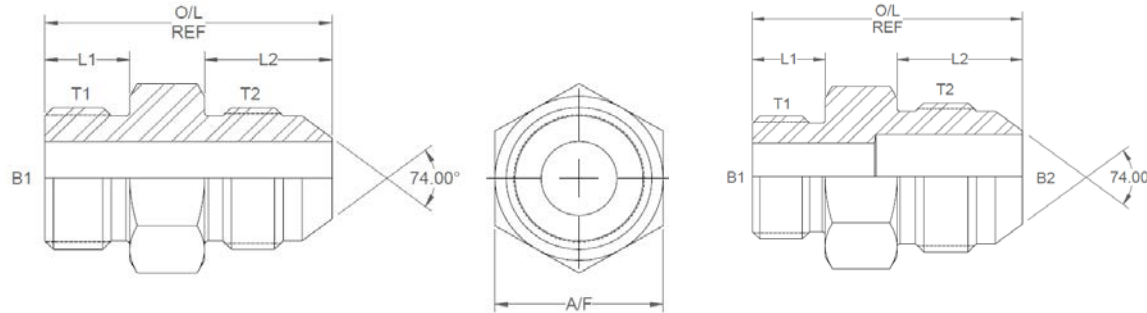
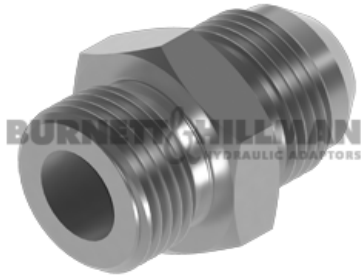
All dimensions are imperial unless stated.



	T1	T2	B1	B2	L1	L2	O/L	A/F
01350	7/16	7/16	0.172		0.36	0.55	1.23	0.562
01353	7/16	1/2	0.172	0.234	0.36	0.55	1.23	0.625
01351	7/16	9/16	0.172		0.36	0.556	1.29	0.625
01398	7/16	7/8	0.172	0.484	0.36	0.758	1.558	1
01392	1/2	7/16	0.234	0.172	0.36	0.55	1.23	0.625
01352	1/2	1/2	0.234		0.36	0.55	1.23	0.625
01388	1/2	9/16	0.234	0.297	0.36	0.556	1.29	0.625
01399	9/16	3/8	0	0	0	0	0	0
01354	9/16	7/16	0.297	0.172	0.391	0.55	1.29	0.687
01355	9/16	1/2	0.297	0.234	0.391	0.55	1.29	0.687
01356	9/16	9/16	0.297		0.391	0.556	1.3	0.687
01357	9/16	3/4	0.297	0.391	0.391	0.657	1.38	22mm
01358	9/16	7/8	0.297	0.484	0.391	0.758	1.59	1
01359	5/8	7/16	0	0	0	0	0	0
01360	5/8	9/16	0.295		0.4	0.556	1.205	0.875
01375	5/8	3/4	0.295	0.391	0.4	0.657	1.324	0.875
01389	3/4	7/16	0.391	0.172	0.438	0.55	1.37	22mm
01361	3/4	9/16	0.391	0.297	0.438	0.556	1.38	0.875
01362	3/4	3/4	0.391		0.438	0.657	1.48	22mm
01363	3/4	7/8	0.391	0.484	0.438	0.758	1.6	1

DESIGN DETAILS AND SPECIFICATIONS SUBJECT TO CHANGE WITHOUT PRIOR NOTICE - Whilst every effort has been made to ensure the accuracy of the information supplied herein, Burnett & Hillman cannot be held responsible for any errors or omissions (E&OE)

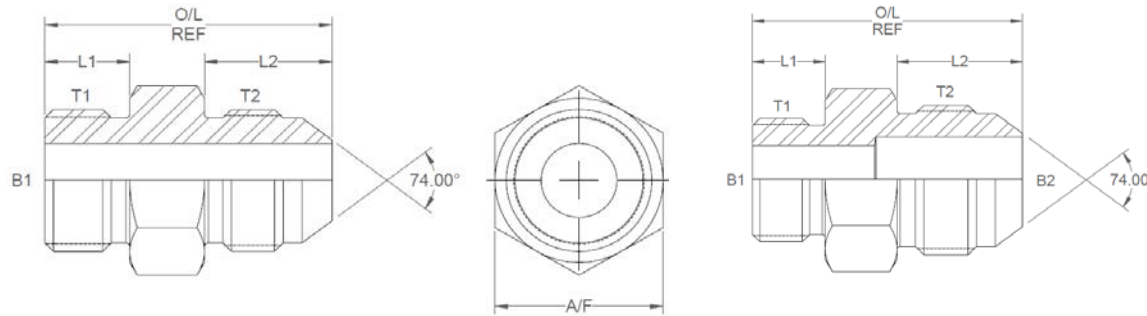
All dimensions are imperial unless stated.



	T1	T2	B1	B2	L1	L2	O/L	A/F
01364	3/4	1-1/16	0.391	0.609	0.438	0.864	1.888	1.125
01376	7/8	7/16	0.484	0.172	0.5	0.55	1.35	1
01382	7/8	1/2	0.484	0.234	0.5	0.55	1.39	1
01386	7/8	9/16	0.484	0.297	0.5	0.556	1.5	1
01365	7/8	3/4	0.484	0.391	0.5	0.657	1.6	1
01366	7/8	7/8	0.484		0.5	0.758	1.7	1
01367	7/8	1-1/16	0.484	0.609	0.5	0.864	1.86	1.125
01395	1-1/16	9/16	0.609	0.297	0.594	0.556	1.66	1.25
01368	1-1/16	3/4	0.609	0.391	0.594	0.657	1.76	1.25
01370	1-1/16	7/8	0.609	0.484	0.594	0.758	1.86	1.25
01371	1-1/16	1-1/16	0.609		0.594	0.864	1.97	1.25
01372	1-1/16	1-3/16	0.609	0.719	0.594	0.89	1.98	1.25
01373	1-1/16	1-5/16	0.609	0.844	0.594	0.911	1.99	1.375
01374	1-3/16	1-1/16	0.719	0.609	0.594	0.864	1.969	1.375
01391	1-3/16	1-3/16	0.719		0.594	0.89	1.99	1.375
01394	1-5/16	3/4	0.844	0.391	0.594	0.657	1.79	1.5
01396	1-5/16	7/8	0.844	0.484	0.594	0.758	1.89	1.5
01377	1-5/16	1-1/16	0.844	0.609	0.594	0.864	1.99	1.5
01378	1-5/16	1-5/16	0.844		0.594	0.911	2.04	1.5
01379	1-5/16	1-5/8	0.844	1.078	0.594	0.958	2.28	1.75

DESIGN DETAILS AND SPECIFICATIONS SUBJECT TO CHANGE WITHOUT PRIOR NOTICE - Whilst every effort has been made to ensure the accuracy of the information supplied herein, Burnett & Hillman cannot be held responsible for any errors or omissions (E&OE)

All dimensions are imperial unless stated.

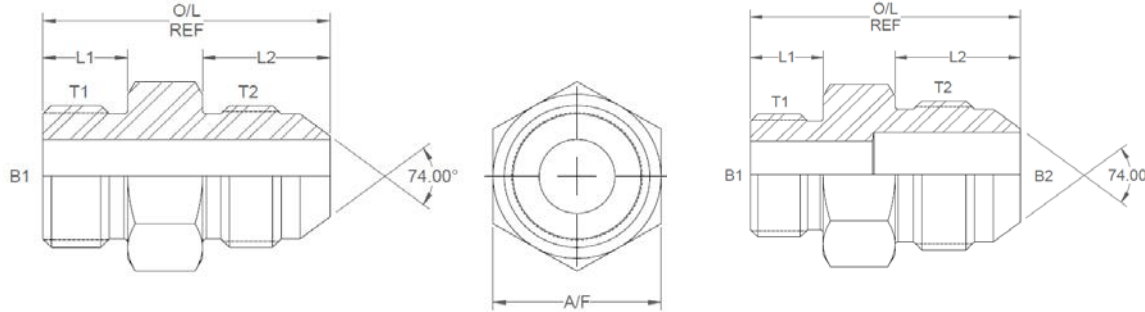


	T1	T2	B1	B2	L1	L2	O/L	A/F
01380	1-5/8	1-5/16	1.078	0.844	0.594	0.911	2.12	50mm
01381	1-5/8	1-5/8	1.078		0.594	0.958	2.17	50mm
01387	1-5/8	1-7/8	1.078	1.312	0.594	1.083	2.24	2.05
01397	1-7/8	1-5/16	1.312	0.844	0.594	0.911	2.2	55mm
01383	1-7/8	1-5/8	1.312	1.078	0.594	0.958	2.24	55mm
01384	1-7/8	1-7/8	1.312		0.594	1.083	2.37	55mm
01369	1-7/8	2-1/2	1.312	1.781	0.594	1.333	2.59	70mm
01385	2-1/2	2-1/2	1.781		0.594	1.333	2.78	70mm

**SAE O'ring boss male LESS O'RING x
 JIC male**

Nov-21
 0137 METRIC

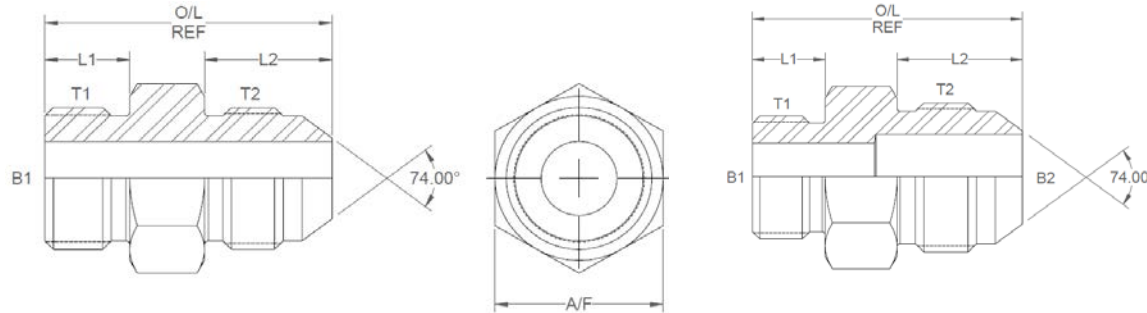
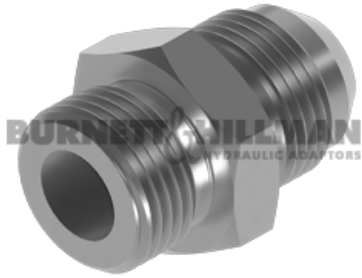
A/F dimensions are imperial unless stated.



	T1	T2	B1	B2	L1	L2	O/L	A/F
01350	7/16	7/16	4.37		9.14	13.97	31.24	0.562
01353	7/16	1/2	4.37	5.94	9.14	13.97	31.24	0.625
01351	7/16	9/16	4.37		9.14	14.12	32.77	0.625
01398	7/16	7/8	4.37	12.29	9.14	19.25	39.57	1
01392	1/2	7/16	5.94	4.37	9.14	13.97	31.24	0.625
01352	1/2	1/2	5.94		9.14	13.97	31.24	0.625
01388	1/2	9/16	5.94	7.54	9.14	14.12	32.77	0.625
01399	9/16	3/8	0	0	0	0	0	0
01354	9/16	7/16	7.54	4.37	9.93	13.97	32.77	0.687
01355	9/16	1/2	7.54	5.94	9.93	13.97	32.77	0.687
01356	9/16	9/16	7.54		9.93	14.12	33.02	0.687
01357	9/16	3/4	7.54	9.93	9.93	16.69	35.05	22mm
01358	9/16	7/8	7.54	12.29	9.93	19.25	40.39	1
01359	5/8	7/16	0	0	0	0	0	0
01360	5/8	9/16	7.49		10.16	14.12	30.61	0.875
01375	5/8	3/4	7.49	9.93	10.16	16.69	33.63	0.875
01389	3/4	7/16	9.93	4.37	11.13	13.97	34.80	22mm
01361	3/4	9/16	9.93	7.54	11.13	14.12	35.05	0.875
01362	3/4	3/4	9.93		11.13	16.69	37.59	22mm
01363	3/4	7/8	9.93	12.29	11.13	19.25	40.64	1

DESIGN DETAILS AND SPECIFICATIONS SUBJECT TO CHANGE WITHOUT PRIOR NOTICE - Whilst every effort has been made to ensure the accuracy of the information supplied herein, Burnett & Hillman cannot be held responsible for any errors or omissions (E&OE)

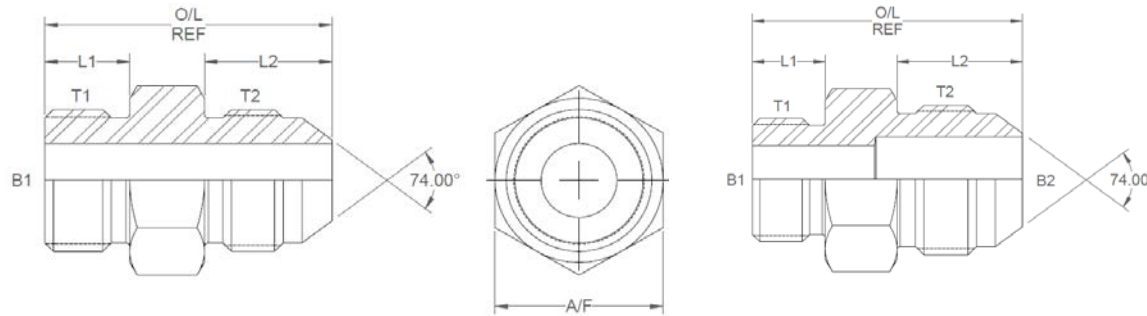
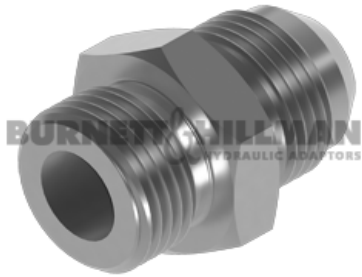
A/F dimensions are imperial unless stated.



	T1	T2	B1	B2	L1	L2	O/L	A/F
01364	3/4	1-1/16	9.93	15.47	11.13	21.95	47.96	1.125
01376	7/8	7/16	12.29	4.37	12.70	13.97	34.29	1
01382	7/8	1/2	12.29	5.94	12.70	13.97	35.31	1
01386	7/8	9/16	12.29	7.54	12.70	14.12	38.10	1
01365	7/8	3/4	12.29	9.93	12.70	16.69	40.64	1
01366	7/8	7/8	12.29		12.70	19.25	43.18	1
01367	7/8	1-1/16	12.29	15.47	12.70	21.95	47.24	1.125
01395	1-1/16	9/16	15.47	7.54	15.09	14.12	42.16	1.25
01368	1-1/16	3/4	15.47	9.93	15.09	16.69	44.70	1.25
01370	1-1/16	7/8	15.47	12.29	15.09	19.25	47.24	1.25
01371	1-1/16	1-1/16	15.47		15.09	21.95	50.04	1.25
01372	1-1/16	1-3/16	15.47	18.26	15.09	22.61	50.29	1.25
01373	1-1/16	1-5/16	15.47	21.44	15.09	23.14	50.55	1.375
01374	1-3/16	1-1/16	18.26	15.47	15.09	21.95	50.01	1.375
01391	1-3/16	1-3/16	18.26		15.09	22.61	50.55	1.375
01394	1-5/16	3/4	21.44	9.93	15.09	16.69	45.47	1.5
01396	1-5/16	7/8	21.44	12.29	15.09	19.25	48.01	1.5
01377	1-5/16	1-1/16	21.44	15.47	15.09	21.95	50.55	1.5
01378	1-5/16	1-5/16	21.44		15.09	23.14	51.82	1.5
01379	1-5/16	1-5/8	21.44	27.38	15.09	24.33	57.91	1.75

DESIGN DETAILS AND SPECIFICATIONS SUBJECT TO CHANGE WITHOUT PRIOR NOTICE - Whilst every effort has been made to ensure the accuracy of the information supplied herein, Burnett & Hillman cannot be held responsible for any errors or omissions (E&OE)

A/F dimensions are imperial unless stated.



	T1	T2	B1	B2	L1	L2	O/L	A/F
01380	1-5/8	1-5/16	27.38	21.44	15.09	23.14	53.85	50mm
01381	1-5/8	1-5/8	27.38		15.09	24.33	55.12	50mm
01387	1-5/8	1-7/8	27.38	33.32	15.09	27.51	56.90	2.05
01397	1-7/8	1-5/16	33.32	21.44	15.09	23.14	55.88	55mm
01383	1-7/8	1-5/8	33.32	27.38	15.09	24.33	56.90	55mm
01384	1-7/8	1-7/8	33.32		15.09	27.51	60.20	55mm
01369	1-7/8	2-1/2	33.32	45.24	15.09	33.86	65.79	70mm
01385	2-1/2	2-1/2	45.24		15.09	33.86	70.61	70mm