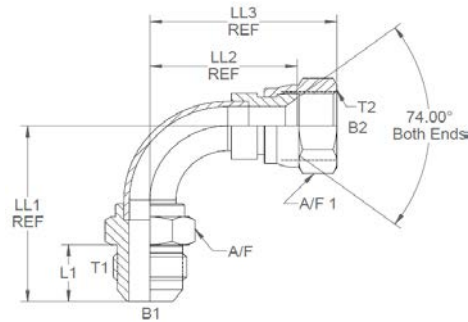
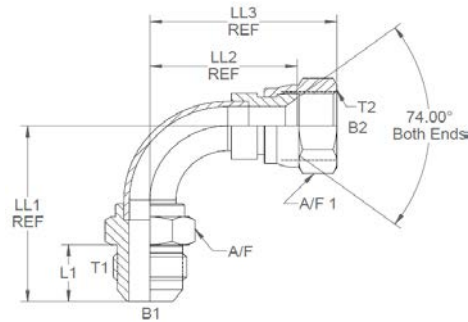


All dimensions are imperial unless stated.



	T1	T2	B1	B2	L1	LL1	LL2	LL3	A/F	A/F1
12900	7/16	1/4	0.172	0.172	0.55	1.495	1.18	1.395	0.5	19mm
12901	9/16	3/8	0.297	0.271	0.556	1.697	1.474	1.727	0.625	22mm
12902	3/4	1/2	0.391	0.375	0.657	1.937	1.703	1.995	0.812	27mm
12903	7/8	5/8	0.484	0.464	0.758	2.257	1.862	2.267	1	30mm
12904	1-1/16	3/4	0.609	0.6	0.864	2.647	2.05	2.44	1.125	32mm
12905	1-5/16	1	0.844	0.797	0.911	2.899	2.548	3.01	1.375	41mm
12907	1-5/8	1-1/4	1.02	1.014	0.957	3.491	3.005	3.44	1.75	50mm
12906	1-7/8	1-1/2	1.25	1.201	1.083	4.476	3.548	4.05	2	55mm

A/F dimensions are imperial unless stated.



	T1	T2	B1	B2	L1	LL1	LL2	LL3	A/F	A/F1
12900	7/16	1/4	4.37	4.37	13.97	37.97	29.97	35.43	0.5	19mm
12901	9/16	3/8	7.54	6.88	14.12	43.1	37.44	43.87	0.625	22mm
12902	3/4	1/2	9.93	9.53	16.69	49.2	43.26	50.67	0.812	27mm
12903	7/8	5/8	12.29	11.79	19.25	57.33	47.29	57.58	1	30mm
12904	1-1/16	3/4	15.47	15.24	21.95	67.23	52.07	61.98	1.125	32mm
12905	1-5/16	1	21.44	20.24	23.14	73.63	64.72	76.45	1.375	41mm
12907	1-5/8	1-1/4	25.91	25.76	24.31	88.67	76.33	87.38	1.75	50mm
12906	1-7/8	1-1/2	31.75	30.51	27.51	113.69	90.12	102.87	2	55mm