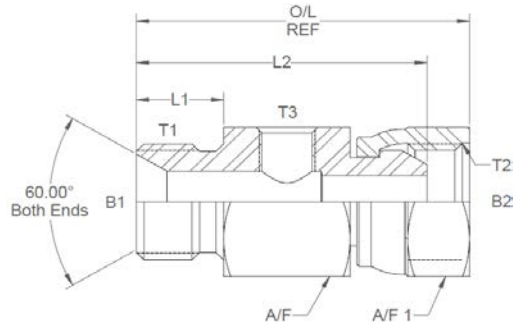


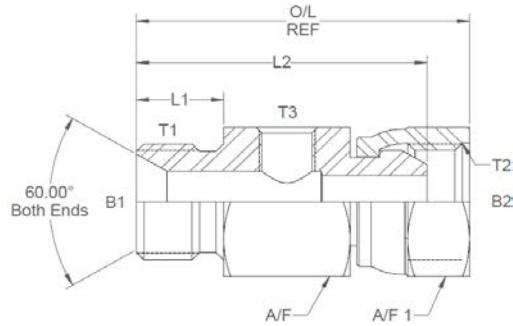
All dimensions are imperial unless stated.



	T1	T2	T3	B1	B2	L1	L2	O/L	A/F	A/F1
01425-TP-B02	1/8	1/8	1/8	0.156	0.125	0.44	1.66	1.9	27mm	14mm
01427-TP-B02	1/4	1/4	1/8	0.185	0.172	0.45	1.726	1.94	27mm	19mm
01434-TP-B02	3/8	3/8	1/8	0.312	0.271	0.52	1.892	2.13	27mm	22mm
01440-TP-B02	1/2	1/2	1/8	0.437	0.375	0.6	1.998	2.3	27mm	27mm
01451-TP-B02	3/4	3/4	1/8	0.6	0.6	0.75	2.1	2.49	32mm	32mm
01458-TP-B02	1	1	1/8	0.843	0.797	0.8	2.078	2.53	41mm	41mm
01461-TP-B02	1-1/4	1-1/4	1/8	1.125	1.014	0.8	2.16	2.6	50mm	50mm
01466-TP-B02	1-1/2	1-1/2	1/8	1.312	1.201	0.85	2.33	2.86	55mm	55mm
01467-TP-B02	2	2	1/8	1.75	1.75	1	2.602	3.27	70mm	70mm
01427-TP-B04	1/4	1/4	1/4	0.185	0.172	0.45	1.766	1.97	32mm	19mm
01434-TP-B04	3/8	3/8	1/4	0.312	0.271	0.52	2.032	2.28	32mm	22mm
01440-TP-B04	1/2	1/2	1/4	0.437	0.375	0.6	2.128	2.43	32mm	27mm
01451-TP-B04	3/4	3/4	1/4	0.6	0.6	0.75	2.116	2.52	32mm	32mm
01458-TP-B04	1	1	1/4	0.843	0.797	0.8	2.228	2.7	41mm	41mm
01461-TP-B04	1-1/4	1-1/4	1/4	1.125	1.014	0.8	2.41	2.86	50mm	50mm
01466-TP-B04	1-1/2	1-1/2	1/4	1.312	1.201	0.85	2.48	2.99	55mm	55mm

DESIGN DETAILS AND SPECIFICATIONS SUBJECT TO CHANGE WITHOUT PRIOR NOTICE - Whilst every effort has been made to ensure the accuracy of the information supplied herein, Burnett & Hillman cannot be held responsible for any errors or omissions (E&OE)

A/F dimensions are imperial unless stated.



	T1	T2	T3	B1	B2	L1	L2	O/L	A/F	A/F1
01425-TP-B02	1/8	1/8	1/8	3.96	3.18	11.18	42.16	48.26	27mm	14mm
01427-TP-B02	1/4	1/4	1/8	4.7	4.37	11.43	43.84	49.28	27mm	19mm
01434-TP-B02	3/8	3/8	1/8	7.92	6.88	13.21	48.06	54.1	27mm	22mm
01440-TP-B02	1/2	1/2	1/8	11.1	9.53	15.24	50.75	58.42	27mm	27mm
01451-TP-B02	3/4	3/4	1/8	15.24	15.24	19.05	53.34	63.25	32mm	32mm
01458-TP-B02	1	1	1/8	21.41	20.24	20.32	52.78	64.26	41mm	41mm
01461-TP-B02	1-1/4	1-1/4	1/8	28.58	25.76	20.32	54.86	66.04	50mm	50mm
01466-TP-B02	1-1/2	1-1/2	1/8	33.32	30.51	21.59	59.18	72.64	55mm	55mm
01467-TP-B02	2	2	1/8	44.45	44.45	25.4	66.09	83.06	70mm	70mm
01427-TP-B04	1/4	1/4	1/4	4.7	4.37	11.43	44.86	50.04	32mm	19mm
01434-TP-B04	3/8	3/8	1/4	7.92	6.88	13.21	51.61	57.91	32mm	22mm
01440-TP-B04	1/2	1/2	1/4	11.1	9.53	15.24	54.05	61.72	32mm	27mm
01451-TP-B04	3/4	3/4	1/4	15.24	15.24	19.05	53.75	64.01	32mm	32mm
01458-TP-B04	1	1	1/4	21.41	20.24	20.32	56.59	68.58	41mm	41mm
01461-TP-B04	1-1/4	1-1/4	1/4	28.58	25.76	20.32	61.21	72.64	50mm	50mm
01466-TP-B04	1-1/2	1-1/2	1/4	33.32	30.51	21.59	62.99	75.95	55mm	55mm

DESIGN DETAILS AND SPECIFICATIONS SUBJECT TO CHANGE WITHOUT PRIOR NOTICE - Whilst every effort has been made to ensure the accuracy of the information supplied herein, Burnett & Hillman cannot be held responsible for any errors or omissions (E&OE)