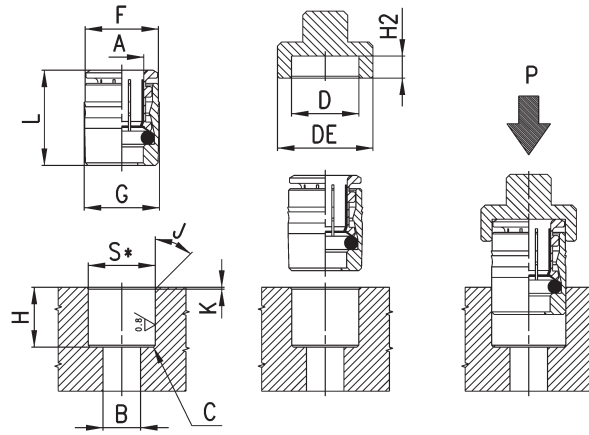


### Fittings Mod. 6700

Cartridge



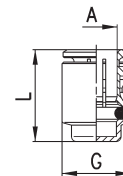
S\* = for both metallic and synthetic seat



| Mod.    | A  | B   | C       | D   | DE | F    | G    | H    | H2 (+0,1/0) | J   | K   | L    | P min (Kg) | P max (Kg) | S (+0,01/-0,04) | Weight (g) |
|---------|----|-----|---------|-----|----|------|------|------|-------------|-----|-----|------|------------|------------|-----------------|------------|
| 6700 3  | 3  | 2   | 0.5x45° | 6.1 | 11 | 5.9  | 6.2  | 6.3  | 2.6         | 30° | 0.3 | 9.2  | 80         | 350        | 6               | 1          |
| 6700 4  | 4  | 3.5 | 0.5x45° | 8.8 | 14 | 8.6  | 9    | 11   | 3.3         | 15° | 0.5 | 14.5 | 200        | 360        | 8.75            | 4          |
| 6700 5  | 5  | 3.5 | 0.5x45° | 9.8 | 15 | 9.6  | 10   | 11.5 | 3.3         | 15° | 0.5 | 15.5 | 230        | 450        | 9.75            | 5          |
| 6700 6  | 6  | 4   | 0.5x45° | 12  | 17 | 11.8 | 12.2 | 12   | 3.8         | 15° | 0.5 | 16.5 | 160        | 570        | 11.95           | 8          |
| 6700 8  | 8  | 6   | 0.5x45° | 14  | 19 | 13.8 | 14.2 | 14   | 3.3         | 15° | 0.5 | 18   | 140        | 400        | 13.95           | 11         |
| 6700 10 | 10 | 8   | 0.5x45° | 16  | 21 | 15.8 | 16.2 | 16.5 | 3.5         | 15° | 0.5 | 20.5 | 150        | 650        | 15.95           | 15         |

### Fittings Mod. 6750

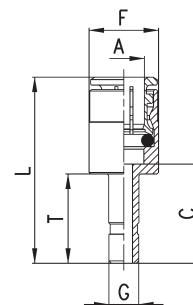
Female Plug



| DIMENSIONS |    |      |      |            |
|------------|----|------|------|------------|
| Mod.       | A  | G    | L    | Weight (g) |
| 6750 4     | 4  | 8.8  | 15   | 4          |
| 6750 6     | 6  | 11.8 | 17   | 7          |
| 6750 8     | 8  | 13.8 | 18.5 | 9          |
| 6750 10    | 10 | 15.8 | 21   | 12         |
| 6750 12    | 12 | 17.8 | 20   | 15         |

### Fittings Mod. 6850

Enlarger Junction



| DIMENSIONS |   |   |      |      |      |      |            |
|------------|---|---|------|------|------|------|------------|
| Mod.       | A | G | C    | F    | L    | T    | Weight (g) |
| 6850 6-4   | 6 | 4 | 17.5 | 12.7 | 33.5 | 16.5 | 11         |
| 6850 8-6   | 8 | 6 | 19   | 14   | 36.5 | 18   | 15         |