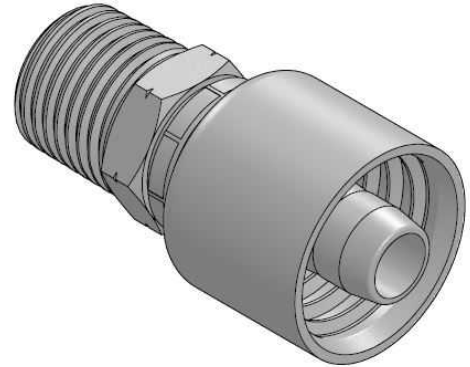
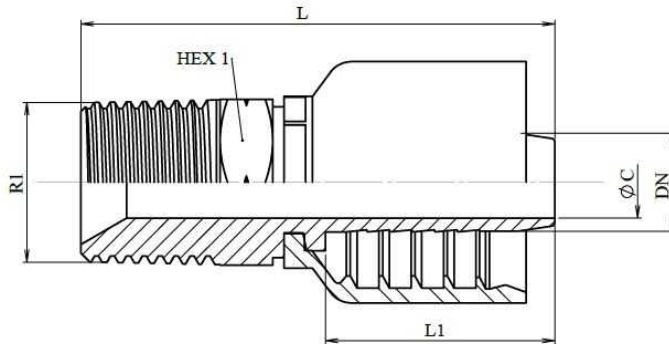


One piece NPT male

Mild Steel



Part nº	DN	R1	Details	L	L1	HEX 1	ØC
281610204	1/4"	1/8" NPT	241610204 + PFC221200400	49	28	14	4
281610404	1/4"	1/4" NPT	241610404 + PFC221200400	53,5	28	17	4
281610405	5/16"	1/4" NPT	241610405 + PFC221200500	53,8	28	17	5,5
281610406	3/8"	1/4" NPT	241610406 + PFC221200600	55,5	29,5	17	7
281610604	1/4"	3/8" NPT	241610604 + PFC221200400	55	28	19	4
281610605	5/16"	3/8" NPT	241610605 + PFC221200500	55,3	28	19	5,5
281610606	3/8"	3/8" NPT	241610606 + PFC221200600	57	29,5	19	7
281610608	1/2"	3/8" NPT	241610608 + PFC221200800	58,5	30,5	22	9,5
281610806	3/8"	1/2" NPT	241610806 + PFC221200600	61,5	29,5	22	7
281610808	1/2"	1/2" NPT	241610808 + PFC221200800	63	30,5	22	9,5
281610810	5/8"	1/2" NPT	241610810 + PFC221201000	66,8	34	27	12
281611208	1/2"	3/4" NPT	241611208 + PFC221200800	67,5	30,5	30	9,5
281611210	5/8"	3/4" NPT	241611210 + PFC221201000	70,3	34	30	12
281611212	3/4"	3/4" NPT	241611212 + PFC221201200	77,5	39	30	15
281611216	1"	3/4" NPT	241611216 + PFC221201600	85	47	32	19
281611612	3/4"	1" NPT	241611612 + PFC221201200	80	39	36	15
281611616	1"	1" NPT	241611616 + PFC221201600	89	47	36	19
281612016	1"	1" 1/4 NPT	241612016 + PFC221201600	96	47	46	19
281612020	1" 1/4"	1" 1/4 NPT	241612020 + PFC221202000	105	54,5	46	26
281612420	1" 1/4"	1" 1/2 NPT	241612420 + PFC221202000	102	54,5	50	26
281612424	1" 1/2"	1" 1/2 NPT	241612424 + PFC221202400	105,5	58	50	32
281613224	1" 1/2"	2" NPT	241613224 + PFC221202400	113,5	58	65	32
281613232	2"	2" NPT	241613232 + PFC221203200	127,5	72	65	44