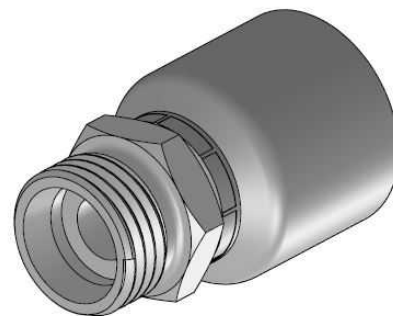
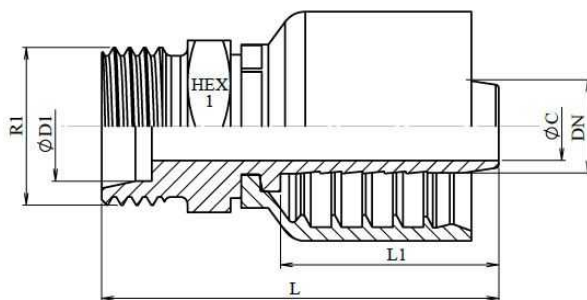


One piece Metric male cone 24°

Mild Steel



Part n°	DN	ØD1	Serie	R1	L	L1	HEX 1	ØC
28203161004	1/4"	10	L	M16X1.5	52	28	17	4
28203181204	1/4"	12	L	M18X1.5	53	28	19	4
28203181205	5/16"	12	L	M18X1.5	53.3	28	19	5,5
28203221506	3/8"	15	L	M22X1.5	54	29,5	24	7
28203261808	1/2"	18	L	M26X1.5	57.5	30,5	27	9,5
28203181005	5/16"	10	S	M18X1.5	54.3	28	19	5,5
28203181006	3/8"	10	S	M18X1.5	56	29,5	19	7
28203201205	5/16"	12	S	M20X1.5	58.3	28	22	5,5
28203221406	3/8"	14	S	M22X1.5	59.5	29,5	24	7