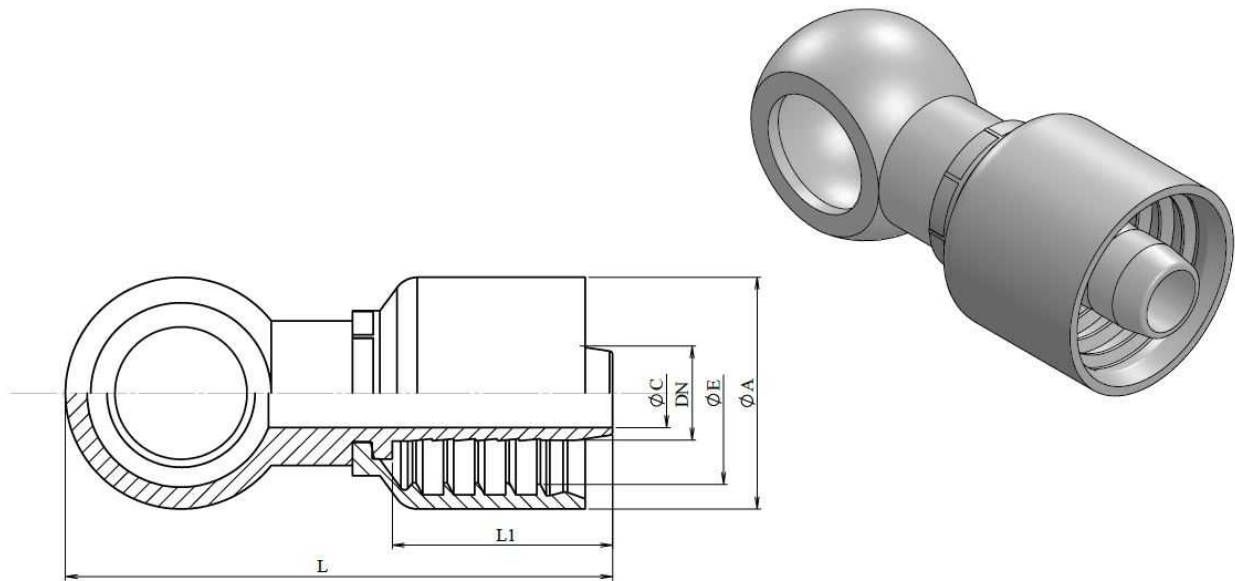


One piece Banjo metric

Mild Steel



Part nº	BANJO	DN	DETAILS	L1	L	ØC	ØA	ØE
281161004	M10x1	1/4"	241161004+PFC221200400	28	58.3	4	23	16,9
281161204	M12x1.5	1/4"	241161204+PFC221200400	28	67.2	4	23	16,9
281161404	M14x1.5	1/4"	241161404+PFC221200400	28	67.2	4	23	16,9
281161405	M14x1.5	5/16"	241161405+PFC221200500	28	68.1	5,5	23.7	17,5
281161406	M14x1.5	3/8"	241161406+PFC221200600	29,5	68.	7	28	20,7
281161605	M16x1.5	5/16"	241161605+PFC221200500	28	68.1	5,5	23.7	17,5
281161606	M16x1.5	3/8"	241161606+PFC221200600	29,5	68.1	7	28	20,7
281161806	M18x1.5	3/8"	241161806+PFC221200600	29,5	74.1	7	28	20,7
281161808	M18x1.5	1/2"	241161808+PFC221200800	30,5	75.8	11,5	32	24,8
281162208	M22x1.5	1/2"	241162208+PFC221200800	30,5	83.5	11,5	32	24,8
281162210	M22x1.5	5/8"	241162210+PFC221201000	34	87.3	16,4	34	27
281163012	M30x2	3/4"	241163012+PFC221201200	39	106	18	40	32