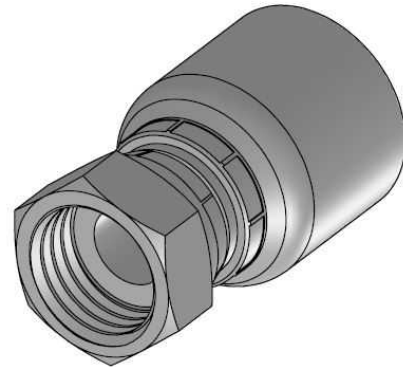
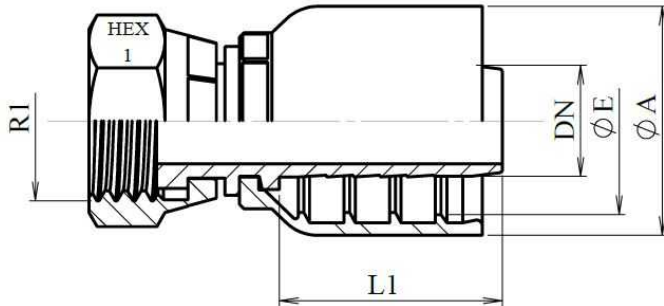


One piece BSP Swivel female flat seat

Mild Steel



Part nº	DN	R1	L1	HEX 1	ØE	ØA	Details
282000404	1/4"	1/4" BSP	40,5	19	16,9	23	242000404+PFC221200400
282000605	5/16"	3/8" BSP	28	22	17,5	23.7	242000605+PFC221200500
282000606	3/8"	3/8" BSP	29,5	22	20,7	28	242000606+PFC221200600
282000806	3/8"	1/2" BSP	29,5	27	20,7	28	242000806+PFC221200600
282000808	1/2"	1/2" BSP	30,5	27	24,8	32	242000808+PFC221200800
282001208	1/2"	3/4" BSP	30,5	32	24,8	32	242001208+PFC221200800
282001212	3/4"	3/4" BSP	39	32	32	40	242001212+PFC221201200
282001616	1"	1" BSP	47	41	39	47	242001616+PFC221201600
282002020	1" 1/4	1" 1/4 BSP	54,5	50	49,5	59.8	242002020+PFC221202000
282002424	1" 1/2	1" 1/2 BSP	58	55	56	67.6	242002424+PFC221202400