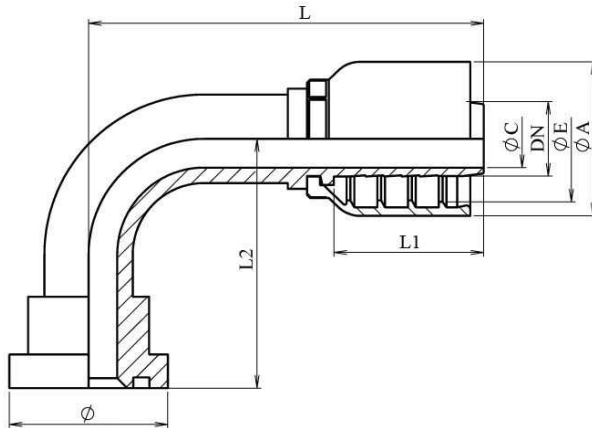


**One piece 6000 PSI SAE 90° Flange / Code 62**

Mild Steel



Part nº	DN	Flange	L	L1	L2	ØC	ØE	ØA	Details
<b>282830808</b>	1/2"	31.8	73	30,5	45	9,5	24,8	32	242830808+PFC221200800
<b>282831208</b>	1/2"	41.3	73	30,5	49	9,5	24,8	32	242831208+PFC221200800
<b>282831210</b>	5/8"	41.3	84	34	54	12	27,8	35	242831210+PFC221201000
<b>282831212</b>	3/4"	41.3	103	39	65	15	32	40	242831212+PFC221201200
<b>282831612</b>	3/4"	47.6	103	39	69	15	32	40	242831612+PFC221201200
<b>282831616</b>	1"	47.6	121	47	84	19	39	47	242831616+PFC221201600
<b>282832016</b>	1"	54	121	47	86	19	39	47	242832016+PFC221201600
<b>282832020</b>	1"1/4	54	146	54,5	101	26	49,5	59.8	242832020+PFC221202000
<b>282832420</b>	1" 1/4	63.5	146	54,5	105	26	59,8	59.8	242832420+PFC221202000
<b>282832424</b>	1"1/2	63.5	163	58	109	32	59,8	67.6	242832424+PFC221202400
<b>282833224</b>	1" 1/2	79.4	163	58	115	32	68	83	242833234+PFC221203200
<b>282833232</b>	2"	79.4	211	72	137	44	68	83	242833232+PFC221203200