

One piece fittings 43 Series 1SN / R1AT / 2SN / R2AT / R16 / 2SC / 3TE / R17

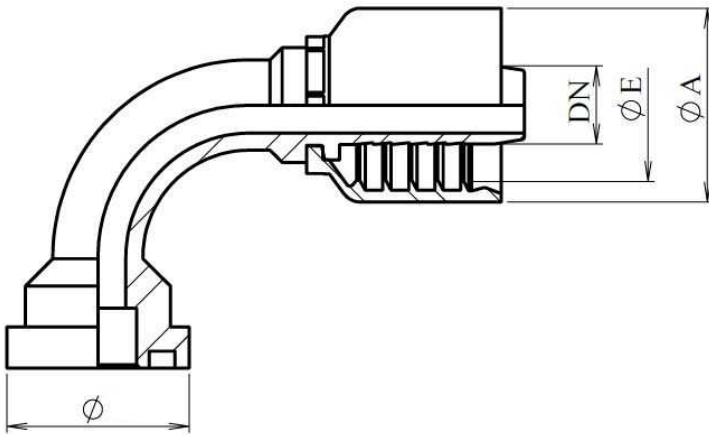
One piece SAE Flanges fittings 3000/6000 PSI

One piece 3000 PSI SAE 90° Flange / Code 61

Mild Steel

DICSA

1/1



Part n°	DN	Flange	Details	ØA	ØE
281830808	1/2"	30.2	241830808+PFC221200800	32	24,8
281831208	1/2"	38.1	241831208+PFC221200800	32	24,8
281831210	5/8"	38.1	241831210+PFC221201000	35	27,8
281831212	3/4"	38.1	241831212+PFC221201200	40	32
281831612	3/4"	44.5	281831612+PFC221201200	40	32
281831616	1"	44.5	241831616+PFC221201600	47	39
281832016	1"	50.8	241832016+PFC221201600	47	39
281832020	1"1/4	50.8	241832020+PFC221202000	59,8	49,5
281832420	1" 1/4	60.3	241832420+PFC221202000	59,8	49,5
281832424	1"1/2	60.3	241832424+PFC221202400	67,6	56
281833224	1" 1/2	71.4	241833224+PFC221202400	67,6	56
281833232	2"	71.4	241833232+PFC221203200	83	68,7