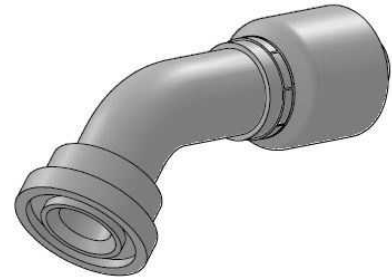
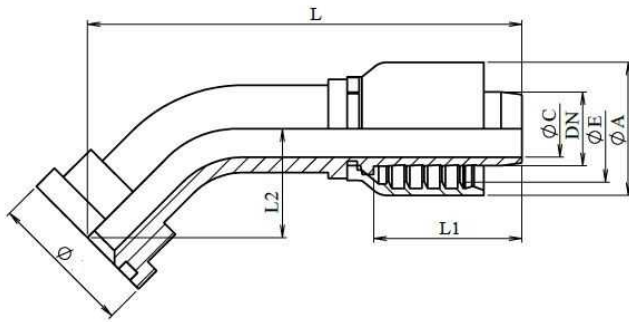


One piece 3000 PSI SAE 45° Flange / Code 61

Mild Steel



Part nº	DN	Flange	L	L1	L2	ØC	ØE	ØA	Details
281840808	1/2"	30.2	83	30,5	21	9,5	24,8	32	241840808+PFC221200800
281841208	1/2"	38.1	84	30,5	22	9,5	24,8	32	241841208+PFC221200800
281841210	5/8"	38.1	96	34	25	12	27,8	35	241841210+PFC221201000
281841212	3/4"	38.1	114	39	29	15	32	40	241841212+PFC221201200
281841612	3/4"	44.5	117	39	31	15	32	40	241841612+PFC221201200
281841616	1"	44.5	140	47	36	19	39	47	241841616+PFC221201600
281842016	1"	50.8	141	47	36	19	39	47	241842016+PFC221201600
281842020	1"1/4	50.8	168	54,5	42	26	49,5	59.8	241842020+PFC221202000
281842420	1" 1/4	60.3	168	54,5	42	26	49,5	59.8	241842420+PFC221202000
281842424	1"1/2	60.3	183	58	45	32	56	67.6	241842424+PFC221202400
281843224	1" 1/2	71.4	185	58	46	32	56	67.6	241843224+PFC221202400
281843232	2"	71.4	228	72	56	44	68,7	83	241843232+PFC221203200