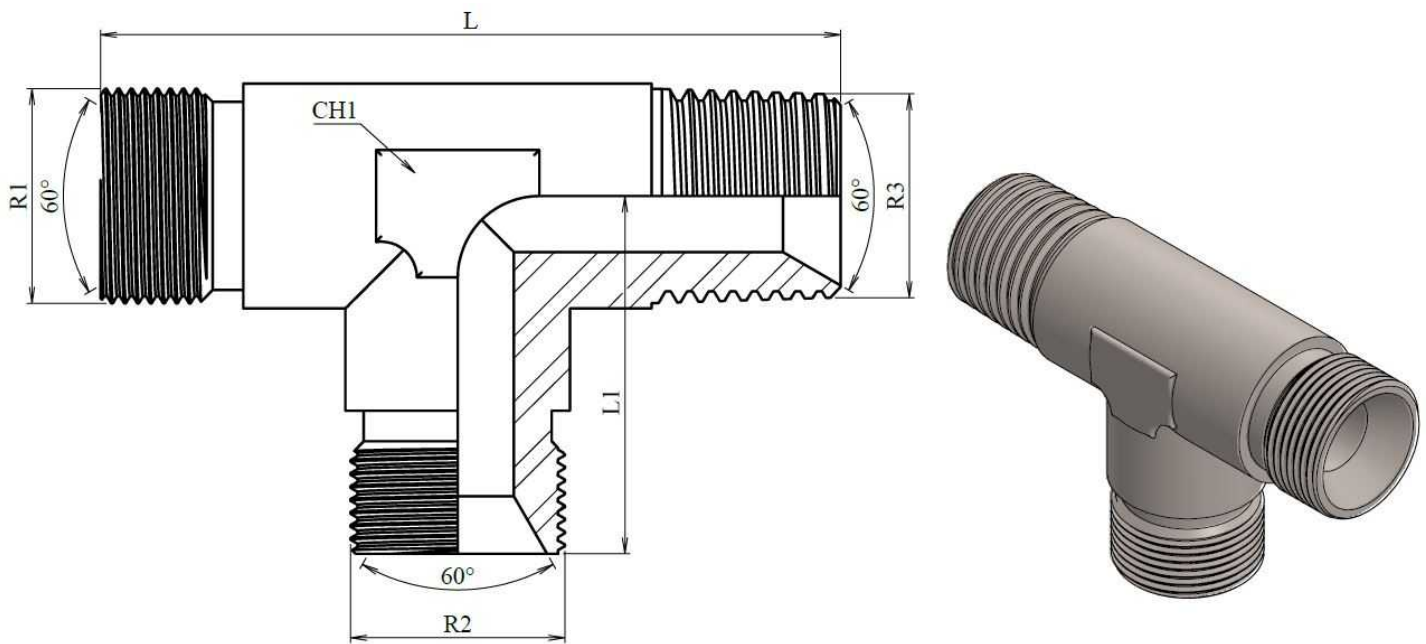


**Tees BSP 60° male - BSP 60° male - NPT lateral male**

Part n°	R1	R2	R3	L	L1	CH1
<b>Z12230404</b>	1/4" BSP	1/4" BSP	1/4" NPT	51.5	25,5	14
<b>Z12230606</b>	3/8" BSP	3/8" BSP	3/8" NPT	61	29	19
<b>Z12230808</b>	1/2" BSP	1/2" BSP	1/2" NPT	66	30,5	24
<b>Z12231212</b>	3/4" BSP	3/4" BSP	3/4" NPT	82	42	27
<b>Z12231616</b>	1" BSP	1" BSP	1" NPT	97	47	36