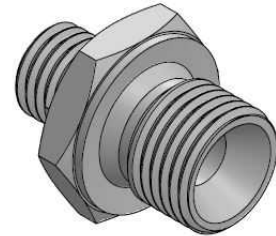
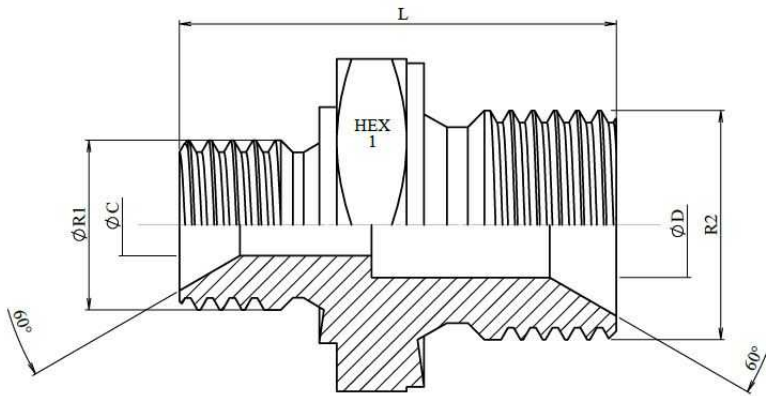


Reducer male adaptor BSP 60° - male BSP 60°

Stainless Steel AISI 316-L

1/1

Part nº	R1	R2	L	HEX 1	ØC	ØD
Z10200204	1/8" BSP	1/4" BSP	27	17	3,5	6
Z10200204H19	1/8" BSP	1/4" BSP	27	19	3,5	6
Z10200206	1/8" BSP	3/8" BSP	30	22	3,5	8
Z10200406	1/4" BSP	3/8" BSP	22	22	6	8
Z10200408	1/4" BSP	1/2" BSP	38	27	6	11
Z10200412	1/4" BSP	3/4" BSP	39,5	32	6	16
Z10200608	3/8" BSP	1/2" BSP	39	27	8	11
Z10200612	3/8" BSP	3/4" BSP	40,5	32	8	16
Z10200616	3/8" BSP	1" BSP	45,5	41	8	22
Z10200812	1/2" BSP	3/4" BSP	44	32	11	16
Z10200816	1/2" BSP	1" BSP	49	41	11	22
Z10200820	1/2" BSP	1"1/4" BSP	50,5	50	17,5	28,5
Z10200824	1/2" BSP	1"1/2" BSP	53	55	11	33
Z10201008	5/8" BSP	1/2" BSP	44	30	14	11
Z10201012	5/8" BSP	3/4" BSP	45	32	14	16
Z10201216	3/4" BSP	1" BSP	50	41	16	22
Z10201220	3/4" BSP	1"1/4" BSP	53,5	50	16	28,5
Z10201620	1" BSP	1"1/4" BSP	56,5	50	22	28,5
Z10201624	1" BSP	1"1/2" BSP	59,5	55	22	33
Z10202024	1"1/4" BSP	1"1/2" BSP	59	55	26	32
Z10202032	1"1/4" BSP	2" BSP	64	65	28	46
Z10202432	1"1/2" BSP	2" BSP	68	65	33	46
Z10202432H70	1"1/2" BSP	2" BSP	68	70	33	46
Z10203240	2" BSP	2" 1/2" BSP	72	85	55	46
Z10203248	2" BSP	3" BSP	85	100	46	64
Z10204048	2"1/2" BSP	3" BSP	85	100	64	55