

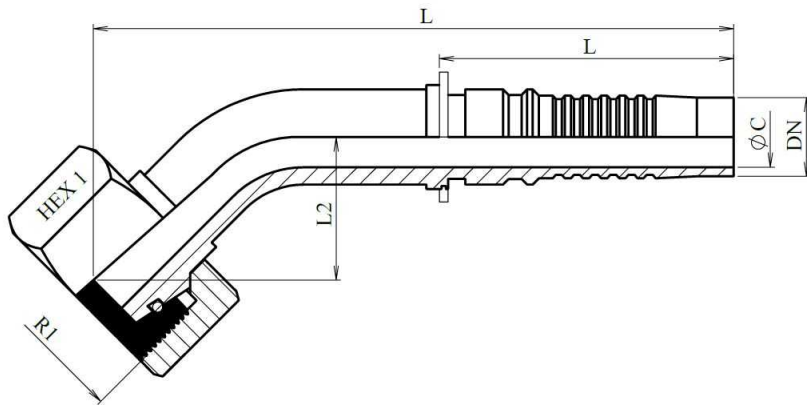
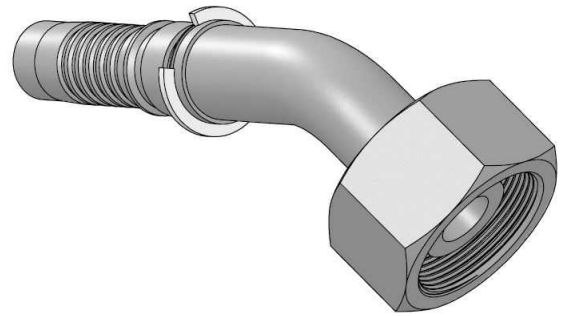
Interlock series fittings
Metric fittings DIN 2353

Metric swivel female 24°seat with o'ring (45° Elbow)

Mild Steel 1.0737 (or equivalent)

DICSA

1/1



Part n°	DN	ØD1	Serie	R1	L	L1	L2	HEX 1	ØC
64206302012	3/4"	20	S	M30X2	140	66	34	36	14
64206362512	3/4"	25	S	M36X2	146	66	35	46	14
64206423016	1"	30	S	M42X2	176	78,5	39	50	19
64206523820	1"1/4	38	S	M52X2	206	86	46	60	25