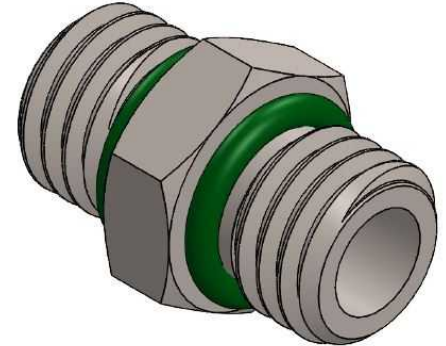
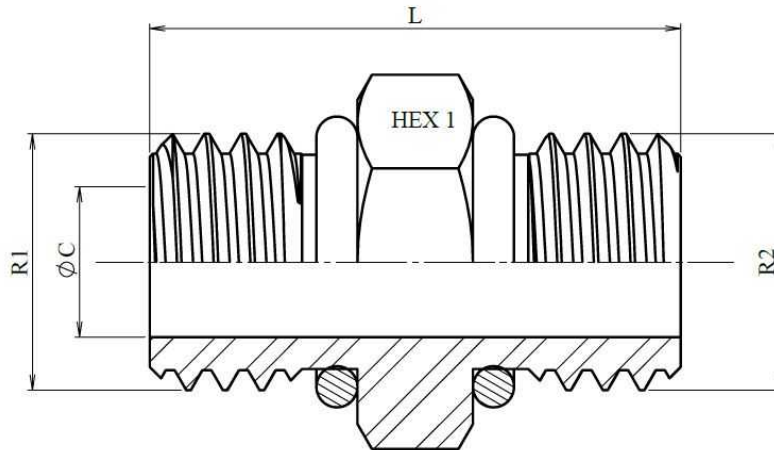


Adaptor male - male O'Ring Boss



Part nº	ØD1	ØD2	R1	R2	L	ØC	HEX 1
ZS64640606	6	1/4"	7/16"-20h UNF	7/16"-20h UNF	23	6,5	14
ZS64640808	8	5/16"	1/2"-20h UNF	1/2"-20h UNF	24,5	7,5	17
ZS64641010	10	3/8"	9/16"-18h UNF	9/16"-18h UNF	26,5	7,5	17
ZS64641212	12	1/2"	3/4"-16h UNF	3/4"-16h UNF	32	10	22
ZS64641616	14-15-16	5/8"	7/8"-14h UNF	7/8"-14h UNF	34	12,3	24
ZS64642020	18-20	3/4"	1"1/16-12h UN	1"1/16-12h UN	44,5	15,5	32
ZS64642525	25	1"	1"5/16-12h UN	1"5/16-12h UN	57	21,5	36