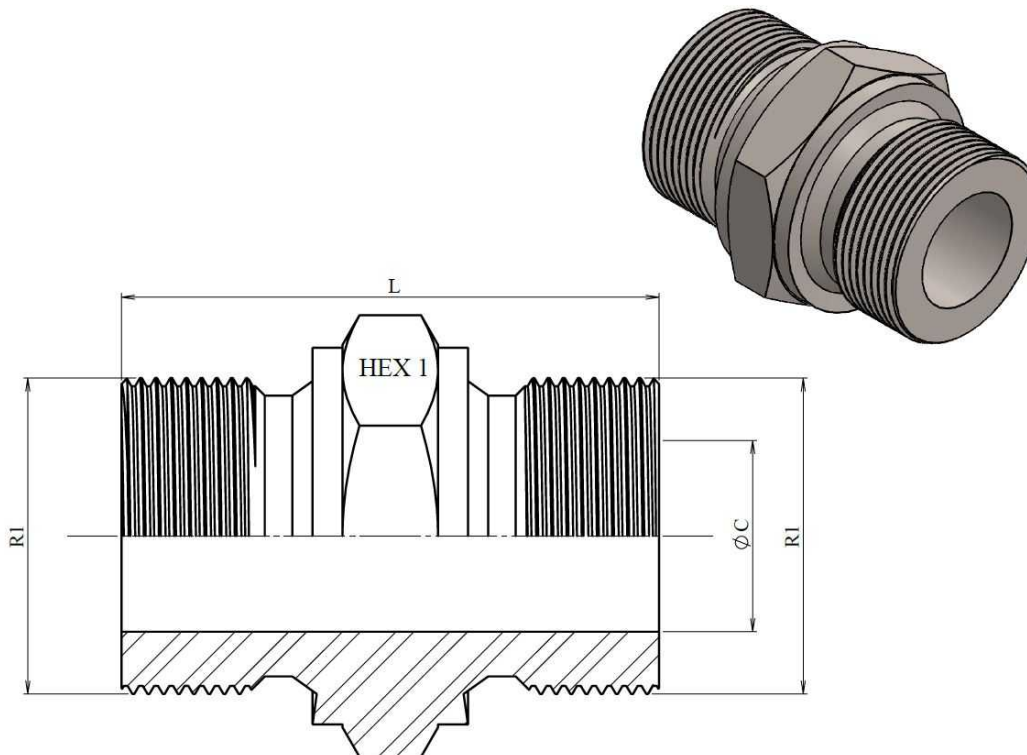


**Adaptor male BSP - male BSP flat seat**

Stainless Steel AISI 316-L



Part n°	R1	R2	L	HEX 1	ØC
<b>Z101104</b>	1/4" BSP	1/4" BSP	31	17	6
<b>Z101106</b>	3/8" BSP	3/8" BSP	35	22	8
<b>Z101108</b>	1/2" BSP	1/2" BSP	42,5	27	11
<b>Z101112</b>	3/4" BSP	3/4" BSP	45	32	16
<b>Z101116</b>	1" BSP	1" BSP	53	41	22
<b>Z101120</b>	1"1/4 BSP	1"1/4 BSP	56	50	28,5
<b>Z101124</b>	1"1/2 BSP	1"1/2 BSP	61	55	33
<b>Z101132</b>	2" BSP	2" BSP	69	65	46