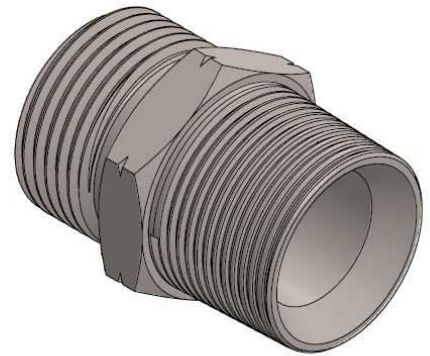
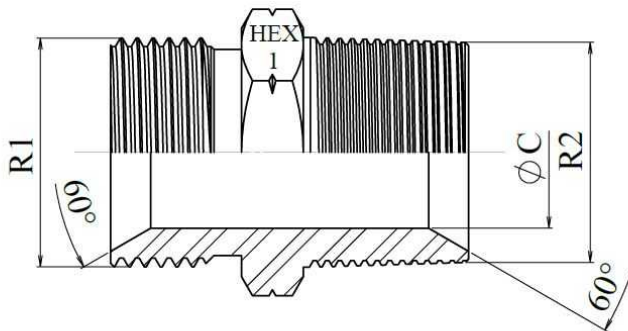


**Adaptor male BSP 60° - male NPT**

Stainless Steel AISI 316-L



Part n°	R1	R2	L	HEX 1	ØC
<b>Z101402</b>	1/8" BSP	1/8" NPT	23,5	14	3,5
<b>Z101404</b>	1/4" BSP	1/4" NPT	30,5	17	6
<b>Z101406</b>	3/8" BSP	3/8" NPT	32	19	8
<b>Z101408</b>	1/2" BSP	1/2" NPT	41.5	22	11
<b>Z101412</b>	3/4" BSP	3/4" NPT	44	27	16
<b>Z101416</b>	1" BSP	1" NPT	52	36	22
<b>Z101420</b>	1"1/4 BSP	1"1/4 NPT	56	46	28,5
<b>Z101424</b>	1"1/2 BSP	1"1/2 NPT	59	50	33
<b>Z101432</b>	2" BSP	2" NPT	66	65	46