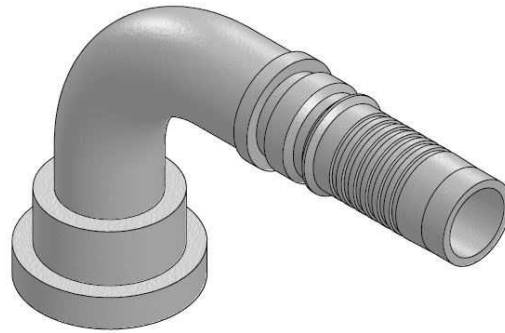
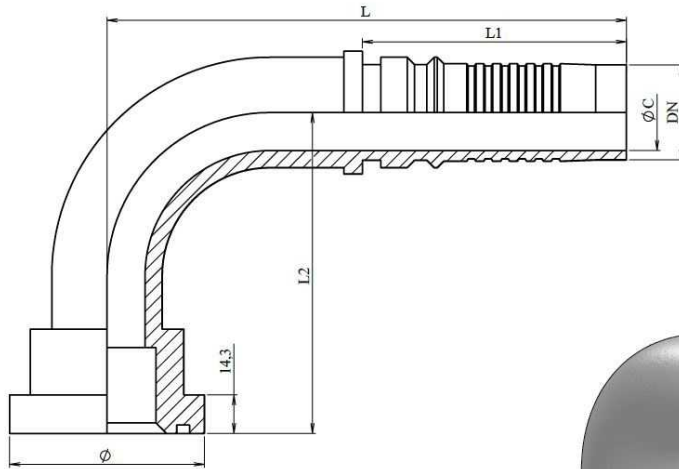


90° 9000 PSI Flange (14,3)

Mild Steel 1.0737 (or equivalent)



Part n°	DN	Flange	L	L1	L2	ØC
643831212	3/4"	41,3	123	66	70	14
643831616	1"	47,6	146	78,5	89	19
643832016	1"	54	146	78,5	90	19
643832020	1"1/4	54	169	86	105	25
643832424	1"1/2	63,5	193	98	112	32