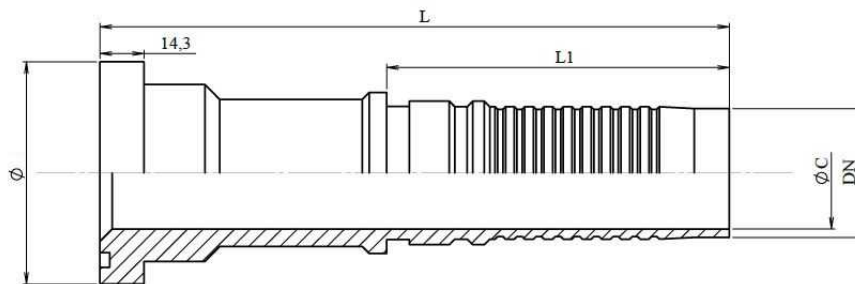
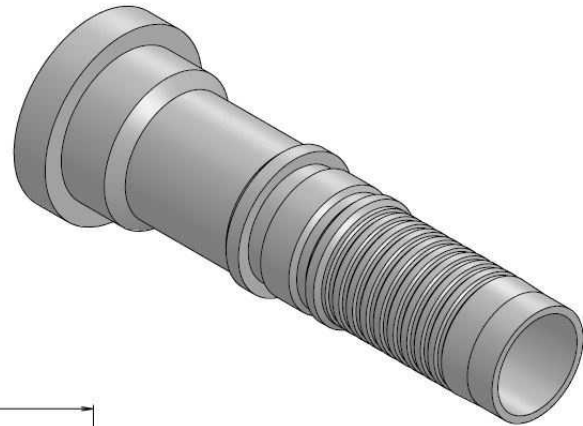


**9000 PSI Straight flange (14,3)**

Mild Steel 1.0737 (or equivalent)



Part n°	DN	Flange	L	L1	ØC
<b>643821212</b>	3/4"	41,3	120	66	14
<b>643821616</b>	1"	47,6	144,5	78,5	19
<b>643822016</b>	1"	54	157,5	78,5	19
<b>643822020</b>	1"1/4	54	165	86	25
<b>643822420</b>	1"1/4	63,5	169,7	86	25
<b>643822424</b>	1"1/2	63,5	181,7	98	32