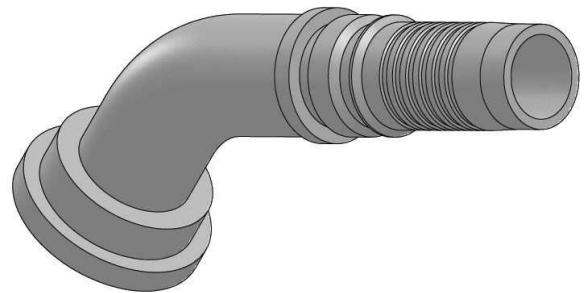
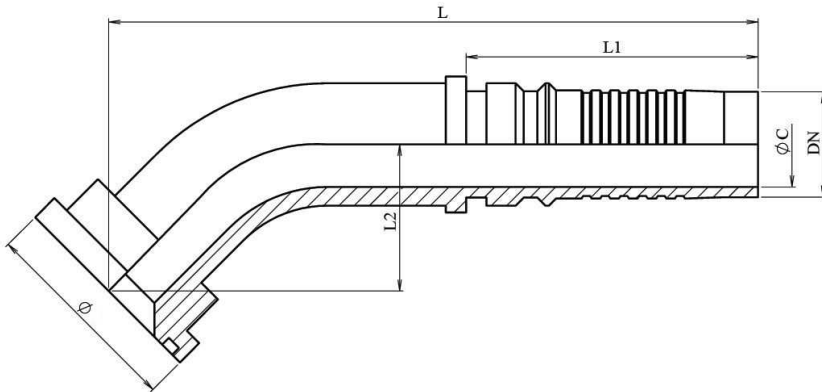


3000 PSI SAE Flange (45° Elbow) / Code 61

Mild Steel 1.0737 (or equivalent)



Part n°	DN	Flange	L	L1	L2	ØC
641841212	3/4"	38.1	135	66	29	14
641841612	3/4"	44.5	137	66	31	14
641841616	1"	44.5	166	78,5	37	19
641842020	1"1/4	50.8	192	86	43	25
641842420	1"1/4	60.3	192	86	43	25
641842424	1"1/2	60.3	215	98	46	32
641843232	2"	71.4	260	111,5	56	41