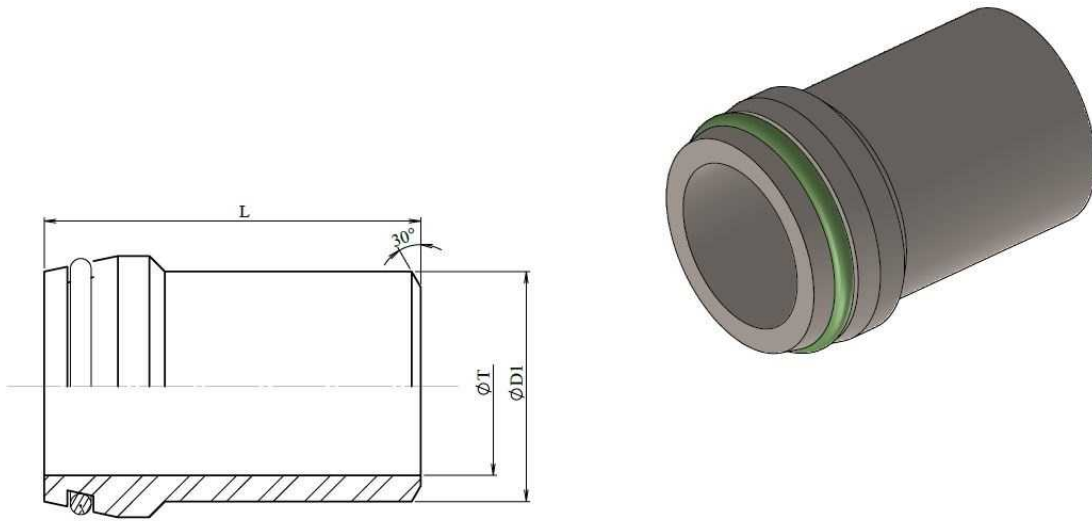


Welding nipple with o-ring

Stainless Steel AISI 316-L



Part n°	ØD1	Serie	Working Pressure (bar)	ØT	L
Z ORIL 12	12x1.5	L	315	8	32,5
Z ORIL 15	15x2.5	L	315	10	36
Z ORIL 18	18x2.5	L	315	13	36
Z ORIL 22	22x2.5	L	160	17	38,5
Z ORIL 28	28x3	L	160	22	41,5
Z ORIL 35	35x4	L	160	27	47
Z ORIL 42	42x3	L	160	36	47
Z ORIS 6	6x2	L/S	630	3	31
Z ORIS 8	8x2	L/S	630	4	31
Z ORIS 10	10x2	L/S	630	6	32,5
Z ORIS 12	12x2	L/S	630	8	32,5
Z ORIS 14	14x3	S	630	8	40
Z ORIS 16	16x3	S	400	10	39
Z ORIS 20	20x3	S	400	14	44,5
Z ORIS 25	25x3.5	S	400	18	49,5
Z ORIS 30	30x5	S	400	20	52
Z ORIS 38	38x5	S	315	28	56,5

SEAL MATERIAL FKM