

HM5 HYDRAULIC CYLINDERS

DOUBLE / SINGLE* ACTING HYDRAULIC CYLINDER (*=S/A WITH USE OF A BREATHER)

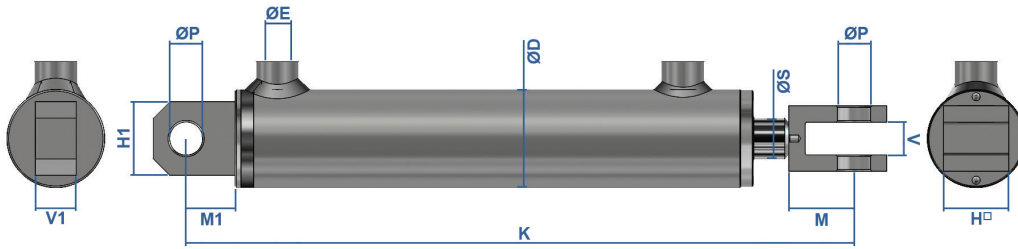
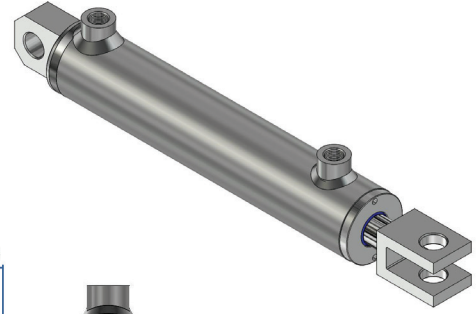
MAX PRESSURE = 210 BAR (CONTINUOUS) ► 250 BAR (INTERMITTENT)

MAX SPEED = 0.5 M/S

OPERATING TEMPERATURE (°C) = +80°C ► -25°C

TUBE MATERIAL = STEEL - ST52.3 - DIN2393 - ISO H9

ROD MATERIAL = STEEL - UNI C45 (SAE 1045) - 25 MICRON (±5) - EN8 GRADE

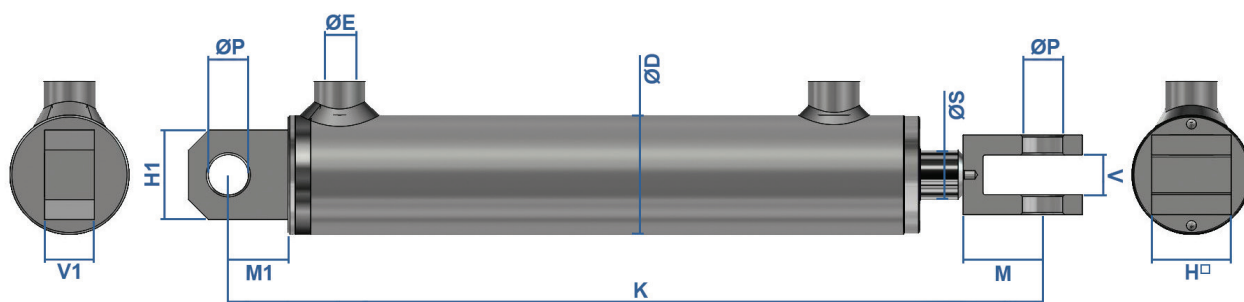


ORDER CODE	BORE Ø(mm)	D Ø(mm)	S Ø(mm)	K (mm)	STROKE (mm)	E Ø(bsp)	M (mm)	M1 (mm)	P Ø(mm)	H (mm)	H1 (mm)	V (mm)	V1 (mm)	WEIGHT (kgs)
HM503220050	32	42	20	214	50	1/4"	34	25	16.2	35	35	16	20	1.79
HM5032200100				264	100									2.09
HM5032200150				314	150									2.44
HM5032200200				364	200									2.79
HM5032200250				414	250									3.19
HM5032200300				464	300									3.49
HM5032200400				564	400									4.19
HM5032200500				664	500									4.89
HM51200100	40	50	20	289	100	1/4"	34	25	16.2	35	35	16	20	2.76
HM51200150				339	150									3.16
HM51200200				289	200									3.54
HM51200250				439	250									3.94
HM51200300				489	300									4.34
HM51200350				539	350									4.76
HM51200400				589	400									5.14
HM51200450				639	450									5.57
HM51200500	689	500	5.98											
HM51250100	40	50	25	289	100	1/4"	34	25	16.2	35	35	16	20	2.99
HM51250150				339	150									3.44
HM51250200				389	200									3.88
HM51250250				439	250									4.34
HM51250300				489	300									4.81
HM51250350				539	350									5.28
HM51250400				589	400									5.75
HM51250450				639	450									6.21
HM51250500	689	500	6.69											
HM51250550	739	550	7.09											
HM51250600	789	600	7.62											
HM52250100	50	60	25	310	100	3/8"	40	30	20.25	40	45	20	25	4.07
HM52250150				360	150									4.61
HM52250200				410	200									5.12
HM52250250				460	250									5.63
HM52250300				510	300									6.13
HM52250350				560	350									6.72
HM52250400				610	400									7.18
HM52250450				660	450									8.08
HM52250500	710	500	8.26											

HM5 HYDRAULIC CYLINDERS

ORDER CODE	BORE Ø(mm)	D Ø(mm)	S Ø(mm)	K (mm)	STROKE (mm)	E Ø(bsp)	M (mm)	M1 (mm)	P Ø(mm)	H (mm)	H1 (mm)	V (mm)	V1 (mm)	WEIGHT (kgs)
HM52250550	50	60	25	760	550	3/8"	40	30	20.25	40	45	20	25	8.84
HM52250600				810	600									9.24
NEW! HM52250700				910	700									10.4
HM52250800				1010	800									11.49
HM52251000				1210	1000									13.65
NEW! HM52300100	50	60	30	310	100	3/8"	40	30	20.25	40	45	20	25	4.25
HM52300150				360	150									4.89
HM52300200				410	200									5.52
HM52300250				460	250									6.13
HM52300300				510	300									6.75
HM52300350				560	350									7.33
HM52300400				610	400									7.98
HM52300450				660	450									8.58
HM52300500				710	500									9.2
HM52300550				760	550									9.82
HM52300600				810	600									10.42
HM52300700				910	700									11.63
HM52300800				1010	800									12.88
HM52301000				1210	1000									15.35
HM53300100				60	70									30
HM53300150	390	150	6.87											
HM53300200	440	200	7.52											
HM53300250	490	250	8.19											
HM53300300	540	300	8.87											
HM53300350	590	350	9.52											
HM53300400	640	400	10.22											
HM53300450	690	450	10.85											
HM53300500	740	500	11.57											
HM53300550	790	550	12.18											
HM53300600	840	600	12.92											
NEW! HM53300700	940	700	14.33											
HM53300800	1040	800	15.58											
HM53301000	1240	1000	18.32											
HM53350100	60	70	35			340	100	3/8"	45	35	25.25	50	50	
HM53350150				390	150	7.17								
HM53350200				440	200	7.92								
HM53350250				490	250	8.72								
HM53350300				540	300	9.47								
HM53350350				590	350	10.26								
HM53350400				640	400	11.04								
HM53350450				690	450	11.79								
HM53350500				740	500	12.57								
HM53350550				790	550	13.32								
HM53350600				840	600	14.13								
NEW! HM53350700				940	700	15.77								
HM53350800				1040	800	17.19								
HM53351000				1240	1000	20.25								
HM53400200				60	70	40	440							200
HM53400250	490	250	9.46											
HM53400300	540	300	10.35											

HM5 HYDRAULIC CYLINDERS



ORDER CODE	BORE Ø(mm)	D Ø(mm)	S Ø(mm)	K (mm)	STROKE (mm)	E Ø(bsp)	M (mm)	M1 (mm)	P Ø(mm)	H (mm)	H1 (mm)	V (mm)	V1 (mm)	WEIGHT (kgs)
HM53400350	60	70	40	590	350	3/8"	45	35	25.25	50	50	25	30	11.22
HM53400400				640	400									12.11
HM53400450				690	450									12.96
HM53400500				740	500									13.84
HM53400550				790	550									14.77
HM53400600				840	600									15.62
NEW! HM53400700				940	700									17.56
HM53400800				1040	800									19.14
HM53401000				1240	1000									22.72
HM5063400200				63	73									40
HM5063400250	490	250	9.83											
HM5063400300	540	300	10.73											
HM5063400350*	590	350	11.63											
HM5063400400	640	400	12.53											
HM5063400450*	690	450	13.43											
HM5063400500	740	500	14.33											
HM5063400550*	790	550	15.23											
HM5063400600	840	600	16.13											
NEW! HM5063400700	940	700	17.97											
HM5063400800	1040	800	19.83											
HM5063401000	1240	1000	23.43											
HM54350100	70	80	35	340	100	3/8"	45	35	25.25	50	50	25	30	7.42
HM54350150				390	150									8.28
HM54350200				440	200									9.07
HM54350250				490	250									9.93
HM54350300				540	300									10.73
HM54350350				590	350									11.59
HM54350400				640	400									12.33
HM54350450				690	450									13.21
HM54350500				740	500									13.93
HM54350550				790	550									14.99
HM54350600	840	600	15.53											
NEW! HM54350700	940	700	17.49											
HM54350800	1040	800	18.89											
HM54351000	1240	1000	22.59											
NEW! HM54400100	70	80	40	340	100	3/8"	45	35	25.25	50	50	25	30	7.82
NEW! HM54400150				390	150									8.77
HM54400200				440	200									9.61
HM54400250				490	250									10.59
HM54400300				540	300									11.57
HM54400350				590	350									12.53

HM5 HYDRAULIC CYLINDERS

ORDER CODE	BORE Ø(mm)	D Ø(mm)	S Ø(mm)	K (mm)	STROKE (mm)	E Ø(bsp)	M (mm)	M1 (mm)	P Ø(mm)	H (mm)	H1 (mm)	V (mm)	V1 (mm)	WEIGHT (kgs)
HM54400400	70	80	40	640	400	3/8"	45	35	25.25	50	50	25	30	14.13
HM54400450				690	450									14.44
HM54400500				740	500									15.34
HM54400550				790	550									16.43
HM54400600				840	600									17.32
NEW! HM54400700				940	700									19.26
HM54400800				1040	800									21.06
HM54401000				1240	1000									24.84
HM55400200				80	92									40
HM55400250	525	250	14.36											
HM55400300	575	300	15.49											
HM55400400	675	400	17.7											
HM55400500	775	500	19.91											
HM55400600	875	600	22.12											
NEW! HM55400700	975	700	24.58											
HM55400800	1075	800	26.64											
HM55401000	1275	1000	31.06											
HM55500200	80	92	50	475	200	1/2"	50	45	30.25	60	60	30	35	14.49
HM55500250				525	250									15.87
HM55500300				575	300									17.29
HM55500400				675	400									20.09
HM55500500				775	500									22.85
HM55500600				875	600									26.14
NEW! HM55500700				975	700									28.62
HM55500800				1075	800									31.64
HM55501000				1275	1000									37.14
HM5090500300	90	105	50	616	300	1/2"	70	60	40.25	80	70	40	40	23.58
HM5090500400				716	400									26.92
HM5090500500				816	500									30.25
HM5090500600				916	600									33.58
NEW! HM5090500700				1016	700									36.98
HM5090500800				1116	800									40.25
HM5090501000				1316	1000									46.92
HM56500200	100	115	50	540	200	1/2"	70	60	40.25	80	70	40	40	23.79
HM56500250				590	250									25.79
HM56500300				640	300									27.29
HM56500400				740	400									30.79
HM56500500				840	500									34.29
HM56500600				940	600									37.79
NEW! HM56500700				1040	700									41.73
HM56500800				1140	800									44.79
HM56501000				1340	1000									51.79
HM56600300	100	115	60	640	300	1/2"	70	60	40.25	80	70	40	40	29.79
HM56600400				740	400									33.79
HM56600500				840	500									37.79
HM56600600				940	600									41.79
NEW! HM56600700				1040	700									46.61
HM56600800				1140	800									50.29
HM56601000				1340	1000									58.79